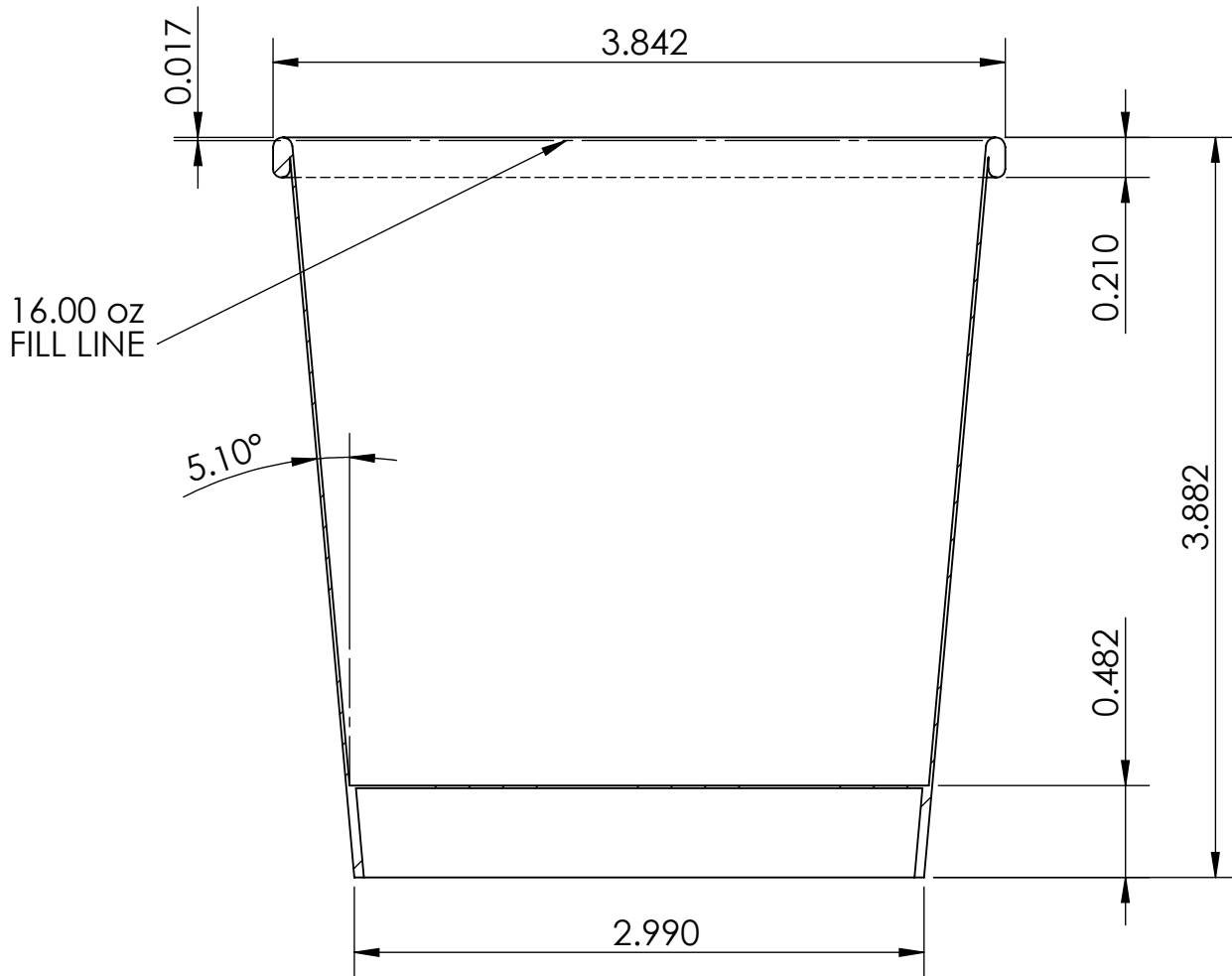



Cup Properties

Maximum Fill Volume	16.1 oz / 476 ml
Practical Volume	16.0 oz / 473 ml
Stack Height	27.5" / 50 Cups
Sidewall Material 18 PT, Polycoated 2 Sides - 3/4 X 1/2 mm	
Bottom Material 13.3 PT, Polycoated 2 Sides - 3/4 X 1/2 mm	



<p>PROPRIETARY AND CONFIDENTIAL</p> <p>The information contained in this drawing is the sole property of Stanpac Inc. Any reproduction in part or as a whole without the express written consent of Stanpac Inc is strictly prohibited.</p> <p>UNLESS OTHERWISE SPECIFIED:</p> <p>All Dimensions in Inches Tolerances as follows: Fractional ±1/16" Decimal X.X" ±0.02" X.XX" ±0.01" X.XXX" ±0.005" Angular Dimensions ± 0.5°</p>	DWG #: 10160100	 www.stanpacnet.com	SIZE A	REV *
	DATE: 7/31/2009		MATERIAL: -----	TITLE: Pint, 16 oz / 473 ml Cup